

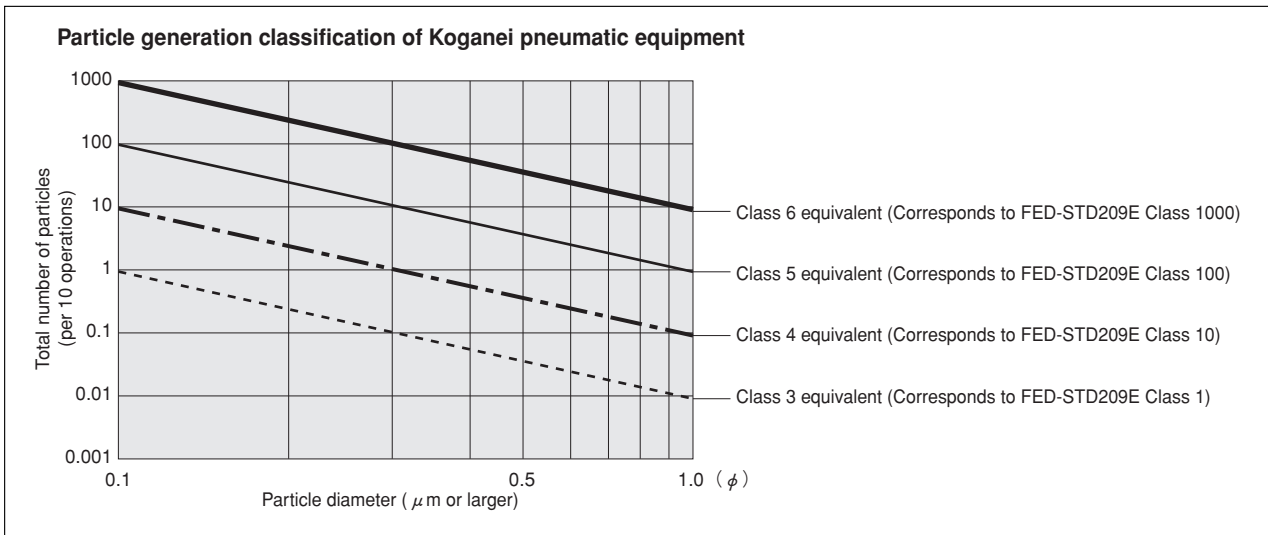


Koganei Clean System products provide complete support for the maintenance of a clean environment inside the cleanroom.

Koganei Clean System products meet the needs of the ultra-clean production environment. In everything from actuators and valves to air preparation and auxiliary equipment, anti-corrosion materials processing and other Koganei-developed design concepts serve to prevent particle contamination within the cleanroom. These perfectly designed mechanisms, which resolve even the slightest leaks to the outside during operations, have already won a high level of reliability.

Koganei Cleanliness

There is currently no standard in JIS or elsewhere for methods of evaluating cleanliness for pneumatic equipment in the cleanroom specifications. Therefore, to measure the effects of cleanroom contamination by pneumatic equipment, Koganei has decided to use “number of particles generated per 10 operations,” rather than particle density. Koganei has also developed classifications for application classes in cleanroom, based on JIS and other upper limit density tables, and on the company’s own experience.



- Remarks:
1. In the above table, product performance in terms of the number of particles generated per 10 operations is expressed as the upper limit of particles corresponding to the equivalent JIS or ISO class.
 2. In the above table, values in the JIS, ISO, and FED-STD upper limit density tables are calculated as upper density per liter.
 3. The classes shown are clean levels as classified in JIS and ISO.

From the above definitions, the Koganei clean level classes can be viewed as the level of average contamination per liter of surrounding air over a period of 10 operations in cleanroom. Air ventilation in cleanrooms is usually faster than 1 cycle per minute, and clean volumetric capacity is usually larger than 1 liter, which should provide a sufficient safety margin in practice.

Caution: The above conclusions are based on an ideal situation in which air ventilation is being implemented. For specific cases where air ventilation is not ensured, caution is needed since the clean classes cannot be maintained.

The clean system diagrams shown here are for Class 5 equivalent products. For Class 4 or Class 3 equivalent products, consult us.

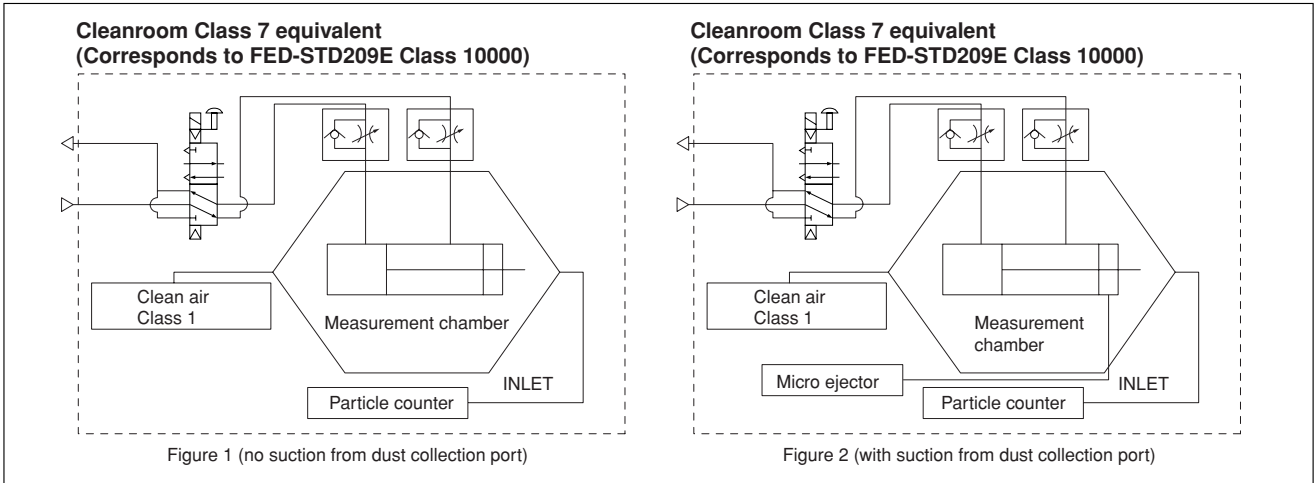
Evaluations of Cleanliness

Koganei has therefore specified its in-house measurement methods, to conduct evaluations on the cleanroom rating.

The number of particles of the Air Cylinder Cleanroom Specification is measured as shown in the method below.

1. Measurement conditions

1-1 Test circuit: Figure 1 (no suction), Figure 2 (with suction)



1-2 Operating conditions of tested cylinder

- Operating frequency: 1Hz
- Average speed: 500mm/s [20in./sec.]
- Applied pressure: 0.5MPa [73psi.]
- Suction condition: Microejector ME05, Primary side: 0.5MPa [73psi.] applied, Tube: $\phi 6$ [0.236in.]
- Mounting direction: Vertical
- Chamber volume: 8.3 ℓ [0.293ft.³]

2. Particle counter

- Manufacturer/model: RION/KM20
- Suction flow rate: 28.3 ℓ /min [1ft.³/min.]
- Particle diameter: 0.1 μm , 0.2 μm , 0.3 μm , 0.5 μm , 0.7 μm , 1.0 μm

3. Measurement method

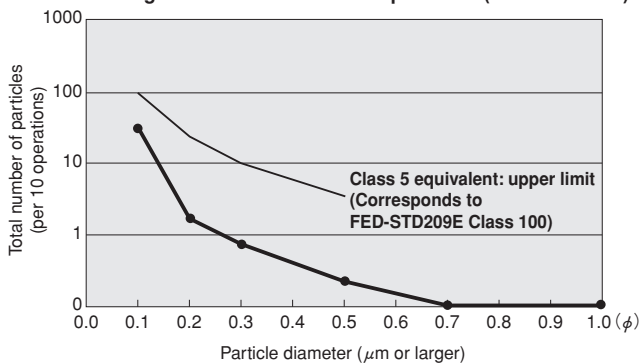
- 3-1 Confirmation of number of particles in the measurement system
Under the conditions in the above 1 and 2, using a particle counter to measure the sample for 9 minutes without operating the measurement sample, and confirmed the measured number of particle is 1 piece or less.
- 3-2 Measurement under operation
Under the conditions in the above 1 and 2, operating the measurement sample for 36 minutes, and measured the total values in the latter half of 18 minutes test.
- 3-3 Reconfirmation
Performed the measurement in 3-1 again, to reconfirm the number of particles in the measurement system.

4. Measurement results

● Cleanroom specification

Jig Cylinder (no suction from dust collection port)

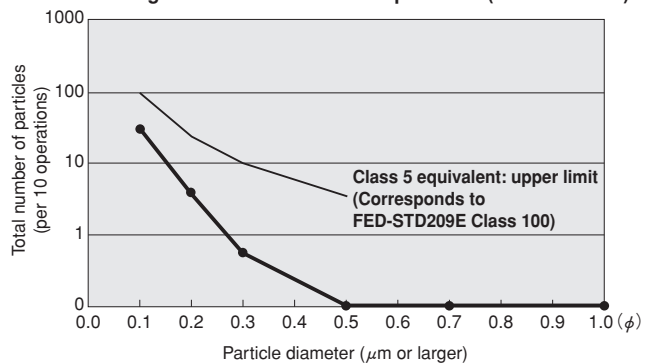
Particle generation over 1 million operations (CS-CDA16 \times 30)



● Cleanroom specification

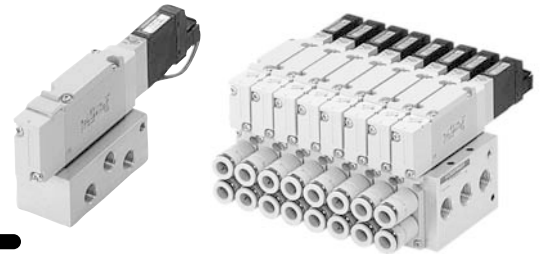
Slim Cylinder (with suction from dust collection port)

Particle generation over 1 million operations (CS-DA20 \times 100)

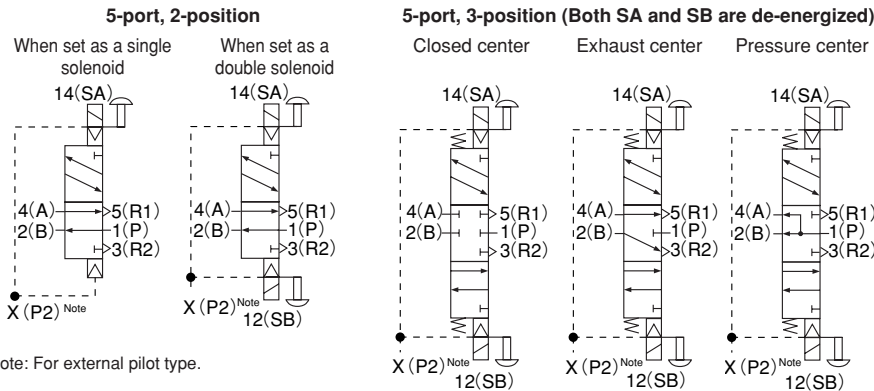


For “safety precautions” listed in the Clean System Product Drawings, see the materials below.

- For actuators, see “Safety Precautions” on p. 45 of the Actuators General Catalog .
- For valves, see “Safety Precautions” on p. 31 of the Valves General Catalog.
- For air treatment and auxiliary equipment, see “Safety Precautions” on p.31 of the General Catalog of Air Treatment, Auxiliary, Vacuum.



Symbols



Note: For external pilot type.

Specifications

Item	Basic model	CS-F15T1	CS-F15T3 CS-F15T4 CS-F15T5	CS-F15T1G	CS-F15T3G CS-F15T4G CS-F15T5G	CS-F15T1V	CS-F15T3V CS-F15T4V CS-F15T5V	
		Media	Air					
Operation type	Internal pilot type		External pilot type (for positive pressure)		External pilot type (for vacuum)			
Effective area [CV]	mm ² 10 [0.56]							
Port size	Fitting for φ 6 and φ 8, Rc1/8		M5×0.8, Fitting for φ 6 and φ 8, Rc1/8					
Lubrication	Not required							
Operating pressure range	Main valve	0.15~0.7MPa [22~102psi.]		0~0.7MPa [0~102psi.] ^{Note1}		-100kPa~0.15MPa [-29.53in.Hg~22psi.]		
	External pilot	—		0.2~0.7MPa [29~102psi.] ^{Note1}		0.2~0.7MPa [29~102psi.]		
Proof pressure	MPa [psi.] 1.05 [152]							
Response time ^{Note2}	ms	DC12V, DC24V	20/30 or below	15/50 or below	20/30 or below	15/50 or below	20/30 or below	15/50 or below
		AC100V	20/30 or below	15/50 or below	20/30 or below	15/50 or below	20/30 or below	15/50 or below
ON/OFF time	ms 50							
Maximum operating frequency	Hz 5							
Minimum time to energize for self holding ^{Note3}	ms 50							
Operating temperature range (atmosphere and media)	°C [°F] 5~50 [41~122]							
Shock resistance	m/s ² {G} 1373 {140.0} (Axial direction 294.2 {30.0})		294.2 {30.0}		1373 {140.0} (Axial direction 294.2 {30.0})		294.2 {30.0}	
Mounting direction	Any							

- Notes: 1. When the main valve pressure is 0.2~0.7MPa [29~102psi.], set the external pilot pressure to the main valve pressure or higher, and to 0.7MPa [102psi.] or less.
 2. Values when air pressure is 0.5MPa [73psi.]. The values for 2-position valves are when used as a single solenoid, and the values for 3-position valves are those when switching from the neutral position of closed center.
 3. When used as a double solenoid valve.

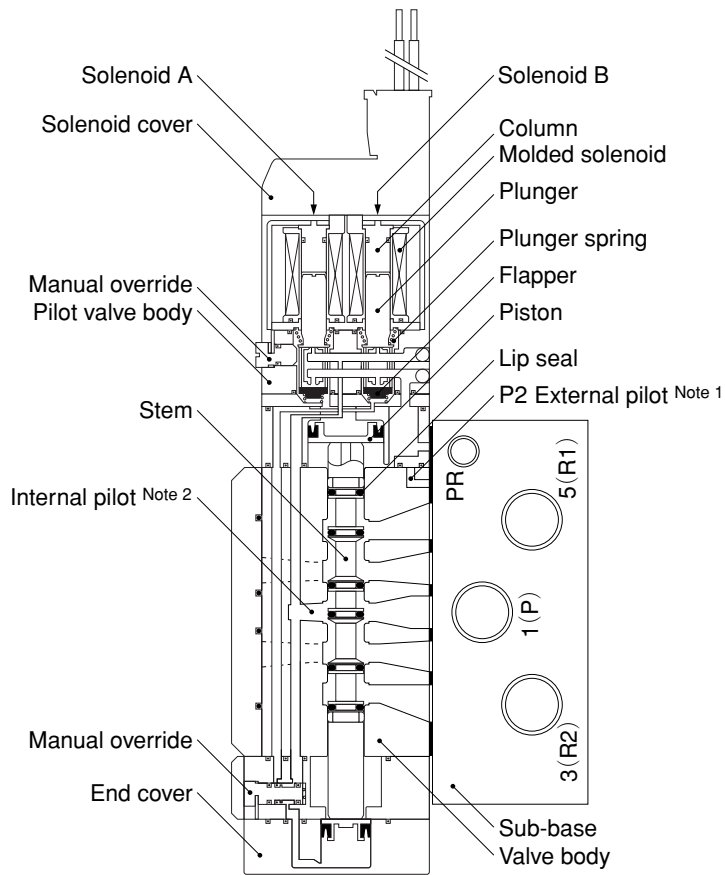
Solenoid Specifications

Item	Rated voltage	DC12V	DC24V	AC100V	
		Voltage range	V 10.8~13.2 (12±10%)	21.6~26.4 (24±10%)	90~110 (100±10%)
Rated frequency	Hz	—	—	50	60
Current (when rated voltage is applied)	mA (r.m.s)	Starting	—	10 ^{Note 1}	
	Energizing	76	38	10 ^{Note 1}	
Power consumption	W	0.9	0.9	1.0VA	
Allowable leakage current	mA	4.0	2.0	2.0	
Insulation resistance ^{Note 2}	MΩ	Over 100			
Color of LED indicator		14(SA) : Red, 12(SB) : Green	14(SA) : Red, 12(SB) : Green	14(SA) : Red, 12(SB) : Green	
Surge suppression (as standard)		Flywheel diode		Bridge diode	

- Notes: 1. Since the AC types have built-in bridge diodes, the starting current and energizing current value are virtually the same.
 2. Value at DC500V megger.

Inner Construction and Major Parts

● CS-F15T1-A1



Major Parts and Materials

Parts		Materials
Valve	Body	Aluminum die-casting
	Stem	Aluminum alloy
	Lip seal	Synthetic rubber
	Flapper	
	Sub-base	Aluminum alloy (anodized)
	Plunger	Magnetic stainless steel
	Column	
	End cover	Plastic
Manifold	Body	Monoblock Aluminum alloy (anodized)
	Block-off plate	
	Seal	Synthetic rubber

Notes: 1. For external pilot type
 2. Not available with external pilot type

Order Codes

CS-F15 - [] - [] - [] - [] - []											
Clean system F15 series valve basic model		Pilot specification			Manual override		Valve outlet type ^{Note 3}				
		Internal pilot	External pilot (positive pressure)	External pilot (vacuum)	Manual override button	Manual override lever (made to order) ^{Note 1}	Without inlet/outlet block	With A type outlet plate	With A type sub-base	With outlet port fitting block	With outlet port female thread block
<ul style="list-style-type: none"> ● For sub-base-mounted units (cannot be used for units without sub-base) ● For A type manifold ● For F type manifold 	CS-F15T1 2-position (Both single and double solenoid use) CS-F15T3 3-position (Closed center) CS-F15T4 3-position (Exhaust center) CS-F15T5 3-position (Pressure center)	Blank	G	V	Blank	-R ^{Note 1}	Blank ^{Note 2}	-A1 ^{Note 2}	-A2	-FJ ^{Note 2}	-FM ^{Note 2}

Notes: 1. The manual override lever is made to order. Consult us for delivery. When the valve specification is T1, the manual override lever is available for the A side only.
 2. Two manifold mounting screws are included.
 3. For the outlet port size, see the table at right.

Monoblock Manifold A type (Base Piping Type) Order Codes

CS-F15M [] [] [] [] [] [] [] [] []									
Clean system F15 series manifold basic model	Number of units	Manifold outlet specification		Pilot specification		Station ^{Note 1}	Valve size	Valve specification	Pilot specification
	2 : 2 units 3 : 3 units ⋮ 20 : 20 units	A	With fitting block: φ 6, φ 8	With female thread block: Rc1/8	Internal pilot	External pilot	stn.1 : First stn.2 : Second stn.3 : Third ⋮ stn.20 : 20th	CS-F15	T1: 2-position, single solenoid specification T2: 2-position, double solenoid specification ^{Note 2} T3: 3-position, closed center T4: 3-position, exhaust center T5: 3-position, pressure center
CS-F15M				Blank	G				

Notes: 1. Valve mounting location is from the left, with the solenoid on top and the valve in front.
 2. This is a special model when ordering manifolds. If ordering valves only for repairs, etc., order CS-F□T1, and switch to the double solenoid specification for use.
 3. The manual override lever is made to order. Consult us for delivery. When the valve specification is T1 or T2, the manual override lever is available for the A side only.
 4. Always enter -A1.

Monoblock Manifold F type (Direct Piping Type) Order Codes

CS-F15M [] [] [] [] [] [] [] [] []							
Clean system F15 series manifold basic model	Number of units	Station ^{Note 1}	Valve size	Valve specification	Manual override	Valve outlet type	
	2 : 2 units 3 : 3 units ⋮ 20 : 20 units	F	stn.1 : First stn.2 : Second stn.3 : Third ⋮ stn.20 : 20th	CS-F15	T1: 2-position, single solenoid specification T2: 2-position, double solenoid specification ^{Note 2} T3: 3-position, closed center T4: 3-position, exhaust center T5: 3-position, pressure center	Blank	Without outlet port fitting block -FJ
CS-F15M					-R ^{Note 3}		

Notes: 1. Valve mounting location is from the left, with the solenoid on top and the valve in front.
 2. This is a special model when ordering manifolds. If ordering valves only for repairs, etc., order CS-F□T1, and switch to the double solenoid specification for use.
 3. The manual override lever is made to order. Consult us for delivery. When the valve specification is T1 or T2, the manual override lever is available for the A side only.

Wiring specification						Voltage
L type plug connector			S type plug connector			DC24V DC12V AC100V
Without connector	Lead wire		Without connector	Lead wire		
	300mm [11.8in.]	3000mm [118in.]		300mm [11.8in.]	3000mm [118in.]	
Blank	-PL	-PL3	-PN	-PS	-PS3	

Valve outlet type (code)	Outlet port size
-A2	Rc1/8
-FJ	φ6, φ8
-FM	Rc1/8

Manual override	Valve outlet type	Wiring specification										Voltage
Blank -R ^{Note 3}	-A1 ^{Note 4}	L type connector					S type connector					DC24V DC12V AC100V
		Without connector	Lead wire		Pre-wired positive common terminal		Without connector	Lead wire		Pre-wired positive common terminal		
			300mm [11.8in.]	3000mm [118in.]	Lead wire 300mm [11.8in.]	Lead wire 3000mm [118in.]		300mm [11.8in.]	3000mm [118in.]	Lead wire 300mm [11.8in.]	Lead wire 3000mm [118in.]	
		Blank	-PL	-PL3	-CPL	-CPL3	-PN	-PS	-PS3	-CPS	-CPS3	

CS-F [Valve size] BP (for block-off plate)

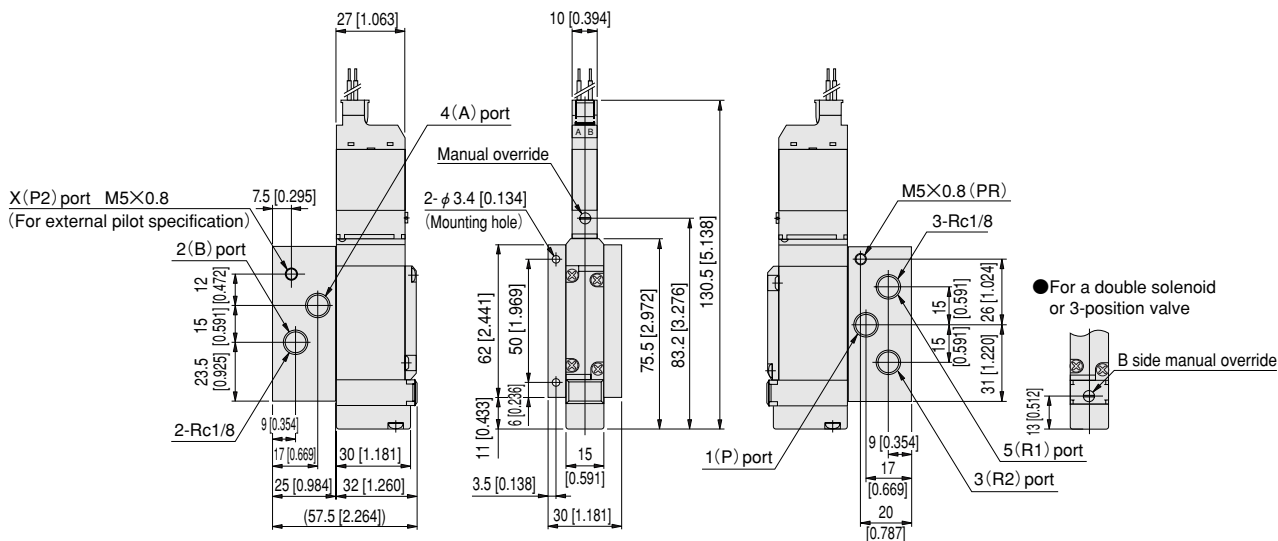
Wiring specification										Voltage
L type connector					S type connector					DC24V DC12V AC100V
Without connector	Lead wire		Pre-wired positive common terminal		Without connector	Lead wire		Pre-wired positive common terminal		
	300mm [11.8in.]	3000mm [118in.]	Lead wire 300mm [11.8in.]	Lead wire 3000mm [118in.]		300mm [11.8in.]	3000mm [118in.]	Lead wire 300mm [11.8in.]	Lead wire 3000mm [118in.]	
Blank	-PL	-PL3	-CPL	-CPL3	-PN	-PS	-PS3	-CPS	-CPS3	

CS-F [Valve size] BP (for block-off plate)

Dimensions of Single Valve Unit mm [in.]

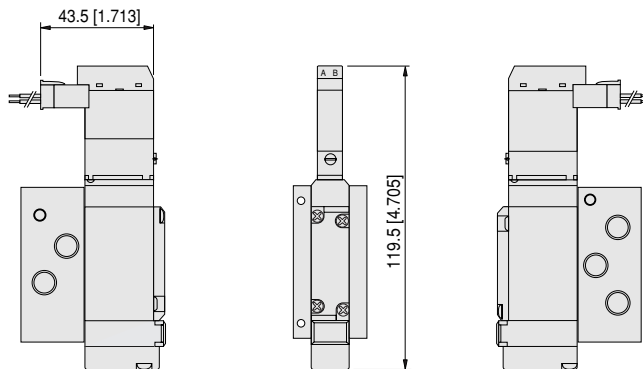
CS-F15T Valve specification Operation type -A2-PS

With an A type sub-base
S type plug connector



● Option

- L type plug connector : -PL



● Made to Order

- Manual override lever

